

RO2 Type A Datasheet

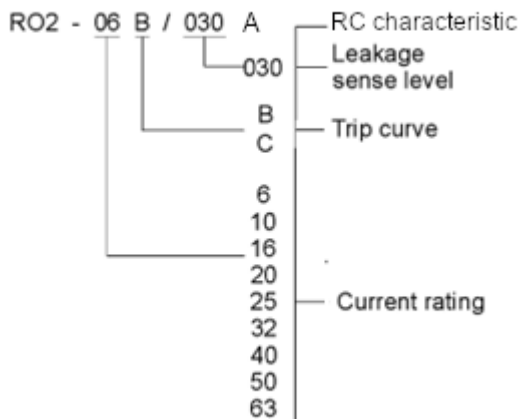
Double Pole, 2 Module RCBO



CONSTRUCTION AND FEATURES:

- Ergonomic handle for easy operation
- ON/OFF status indicator
- Trip status indicator
- L and N disconnection
- Functions as an isolator
- Fire resistant plastic parts, with high impact resistance
- IP20
- DIN rail mounting
- Supply and load can be reversed
- Ideal for OEM applications, EV installations, caravan parks, marinas etc, where live and neutral disconnection is required
- Circuit labelling window

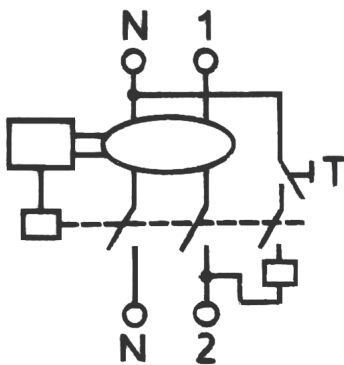
PART NUMBER SELECTOR:



TECHNICAL DATA:

- Electronic type
- Residual current characteristic: AC, A
- No of poles: 2 (L and N)
- Trip curves: B, C, D
- Rated voltage: 230/240V AC, 50/60Hz
- Short circuit capacity: 10kA
- Rated current (A): 6, 10, 16, 20, 25, 32, 40, 50, 63
- Rated residual operating current, $I_{\Delta n}$ (mA): 30
- Electrical endurance: min 1000 cycles
- Mechanical endurance: min 1000 cycles
- Conforms to: IEC/EN 61009-1
- Max cable size: 16mm² (flexible), 25mm² (stranded)

WIRING DIAGRAM:



DIMENSIONAL SKETCH:

