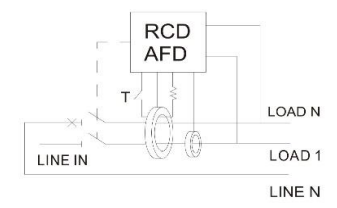
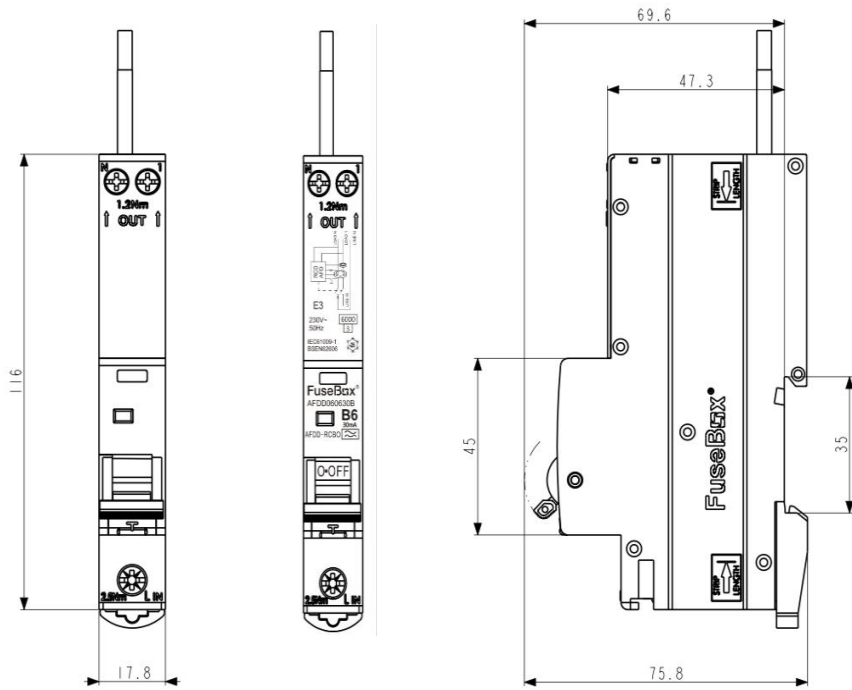


| AFDD_RCBO (ARC FAULT DETECTION DEVICE) | | | | | | | | |
|---|--|---------------|---------------|---------------|---------------|---------------|---------------|--|
| RATING (A) | 6 | 10 | 16 | 20 | 25 | 32 | 40 | |
| RATED RESIDUAL OPERATING CURRENT (I _{Δn}) | 30mA | 30mA | 30mA | 30mA | 30mA | 30mA | 30mA | |
| PART NUMBER | AFDD060630B | AFDD061030B | AFDD061630B | AFDD062030B | AFDD062530B | AFDD063230B | AFDD064030B | |
| GTIN-13 | 5060523524457 | 5060523524464 | 5060523524471 | 5060523524488 | 5060523524495 | 5060523524501 | 5060523524518 | |
| STANDARD | IEC 61009-1, BS EN 62606 | | | | | | | |
| NUMBER OF POLES | 1P+N (Switched) | | | | | | | |
| RATED VOLTAGE (U _n /AC) | 230V | | | | | | | |
| FREQUENCY (Hz) | 50/60 | | | | | | | |
| RATED BREAKING CAPACITY (I _{cn}) | 6000A (6kA) | | | | | | | |
| RATED CURRENT (I _n) | 6, 10, 16, 20, 25, 32, 40 | | | | | | | |
| TRIPPING CHARACTERISTICS | B CURVE : 3-5I _n | | | | | | | |
| RESIDUAL CURRENT CHARACTERISTICS | TYPE A (AC AND PULSATING DC UP TO 6mA) | | | | | | | |
| RATED RESIDUAL OPERATING CURRENT (I _{Δn}) | 0.03 | | | | | | | |
| MECHANICAL ENDURANCE | 10,000 | | | | | | | |
| PROTECTION DEGREE (IP) | 20 | | | | | | | |
| MAXIMUM TERMINAL CAPACITY | 1-16mm ² IN L / 1-10mm ² OUT N L | | | | | | | |
| RECOMMENDED TIGHTENING TORQUE (Nm) | 2.5Nm IN L / 1.2Nm OUT N L | | | | | | | |
| FLYING NEUTRAL CABLE LENGTH (mm) | 450 (can be cut to suit) | | | | | | | |
| OVERVOLTAGE PROTECTION | >285V | | | | | | | |
| MATERIAL | PA6 (Nylon 6) | | | | | | | |
| WEIGHT (1PC) Kg | 0.185 | | | | | | | |
| INNER CARTON QUANTITY | 1 | | | | | | | |
| OUTER CARTON QUANTITY | 60 | | | | | | | |
| ENERGY LIMITING CLASS | 3 | | | | | | | |
| MOUNTING | 35mm Din rail mounting | | | | | | | |
| ORIGIN OF MANUFACTURE | CHINA | | | | | | | |



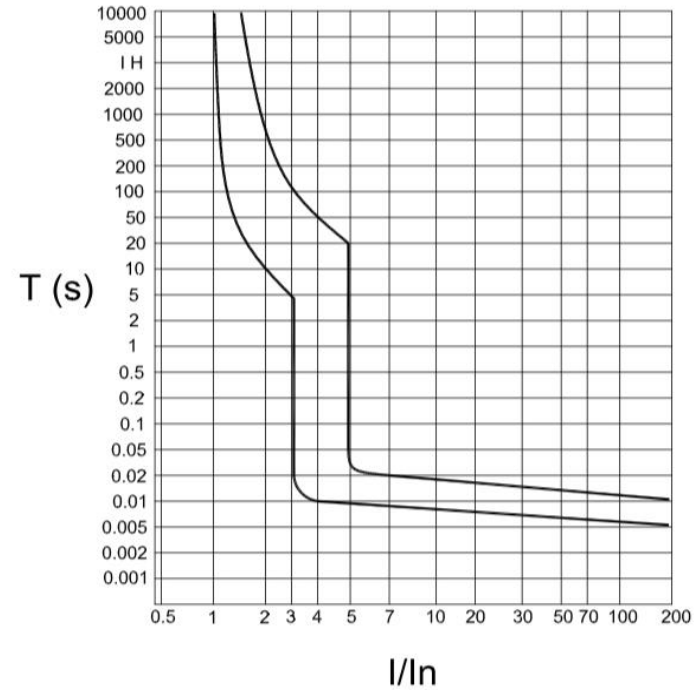
DIMENSIONS



TRIPPING CHARACTERISTICS

B curve 3-5In

Curve B



Combined AFDD/RCBO

Combined AFDD RCBO (1P+N) with switched LINE and NEUTRAL.
 Used for the protection against ARC FAULTS (SERIES AND PARALLEL), overload, short circuit and earth leakage.
 Type A for AC and pulsating DC sensitivity.
 Short circuit capacity of 6kA with a maximum rating of 40A.
 Designed to fit all FuseBox consumer units.

TESTING: Line and Neutral conductors do not have to be disconnected for IR (insulation resistance) if the lever is in the **OFF** position.

NEUTRAL CABLE CSA

| | |
|-----|---------------------|
| 6A | 2.5 mm ² |
| 10A | 2.5 mm ² |
| 16A | 2.5 mm ² |
| 20A | 2.5 mm ² |
| 32A | 4.0 mm ² |
| 40A | 4.0 mm ² |

Connections

