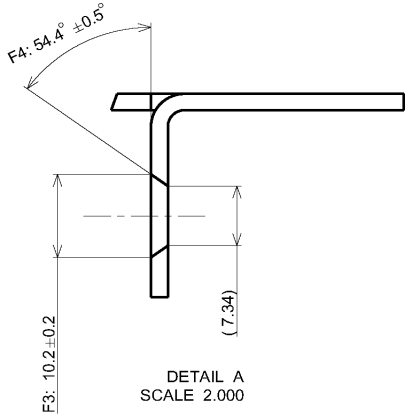
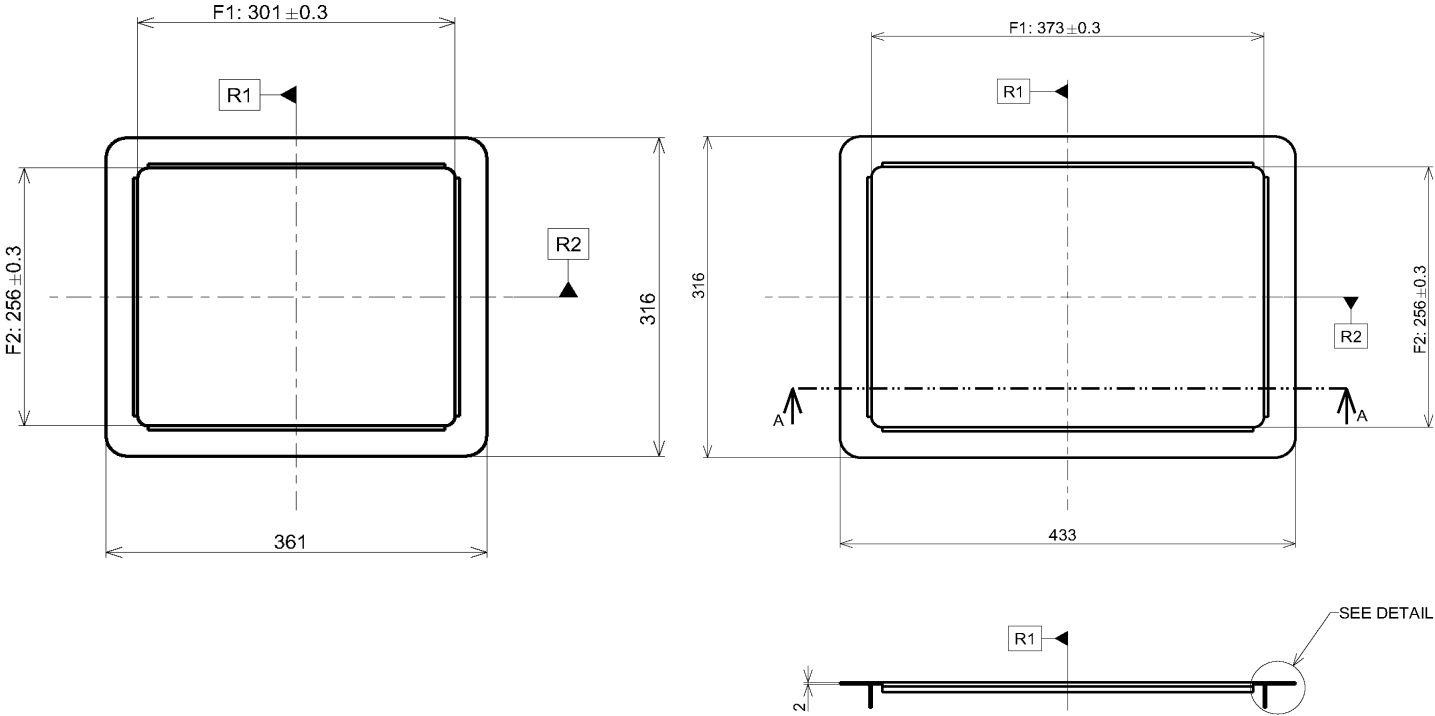


	FLUSH MOUNTING FRAME					
	14P		18P		24P	
FRAME FOR MODULAR ENCLOSURE						
PART NUMBER	AFMF14		AFMF18		AFMF24	
GTIN-13	5060523524365		5060523524372		5060523524389	
INNER CARTON QUANTITY	1		1		1	
OUTER CARTON QUANTITY	10		10		10	
DIMENSIONS (HxWxD)mm	316x361x30		316x433x30		316x541x30	
WEIGHT (1PC) Kg	1		1.2		1.4	
MATERIAL	2mm ELECTRO GALVANISED STEEL (ZINC)					
FINISH	RAL 9001 POWDER COATED SMOOTH FINISH					
ORIGIN OF MANUFACTURE	CHINA					
	<p>Designed to fit around the base of a FuseBox consumer unit allowing it to be flush mounted or semi-recessed depending on installation.</p> <p>AFMF Flush mounting frame should be secured with 4 of no.10 wood screws.</p> <p>AFMF frame must be fitted and secured to the wall before consumer unit base is inserted.</p>					

DIMENSIONS

AFMF14

AFMF18



AFMF24

