

Code: ELM20DPNGY

Elemento IP | ELEMENTO RANGE | IP66 Rockers Switches

Product Image



Wiring



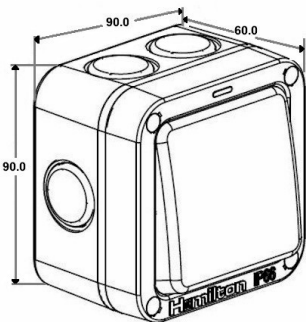
Dimensions

Hamilton®

ELEMENTO

TRD-ELM-DPN

1 gang 20AX Double Pole Switch+ Neon



Insert Type	1 gang 20AX Double Pole Switch+ Neon
Insert Colour	White/White
EAN13 Barcode	5017503940554
Commodity Code	85363030
Luckins TSI	407290329
Dimensions(Nominal)	Single: Height = 90.0mm Width = 90.0mm Depth = 60mm
Weight	201 GR
Fixing Hole Centres	Box Fixing = 60.3mm Grid Fixing = N/A
Switched Poles	Double
Current Rating	20AX
Voltage	220/250V AC
Maximum Load	20 Amp inductive
IP Rating	IP66
Contact Gap Minimum	3mm
Terminal Capacity 1	5x1mm ²
Terminal Capacity 2	4x1.5mm ²
Terminal Capacity 3	1x2.5mm ²
Terminal Capacity 4	1x4mm ²
Terminal Capacity 5	1x6mm ²
Earth Terminal Capacity 1	5x1mm ²
Earth Terminal Capacity 2	4x1.5mm ²
Earth Terminal Capacity 3	3x2.5mm ²
Earth Terminal Capacity 4	1x4mm ²
Earth Terminal Capacity 5	1x6mm ²
Product Class 1	Must be earthed
Ambient Operating Temperature	-5° to +40°C
Maximum Installation Altitude	2000m
Standard/Approval	IP66 & BS EN 60669-1

R Hamilton & Co Ltd, Unit 10 Carrick Business Centre,
4-5 Bonville Road, Brislington, Bristol, BS4 5NZ

T: +44 (0)1747 860088

E: info@hamilton-litestat.com | W: www.hamilton-litestat.com

All accessories are manufactured under an accredited BS EN ISO 9001:2015 Quality Management System. It is the policy of the company to improve products as part of our development programme. Therefore, we reserve the right to alter designs and dimensions without prior notice. Illustrations and diagrams are reproduced within the limitations of reproduction and printing process and are not binding. Due to manufacturing processes we cannot guarantee an exact colour match and shadings of certain finishes. This datasheet was generated on 5/9/2023 1:17:57 PM E&OE