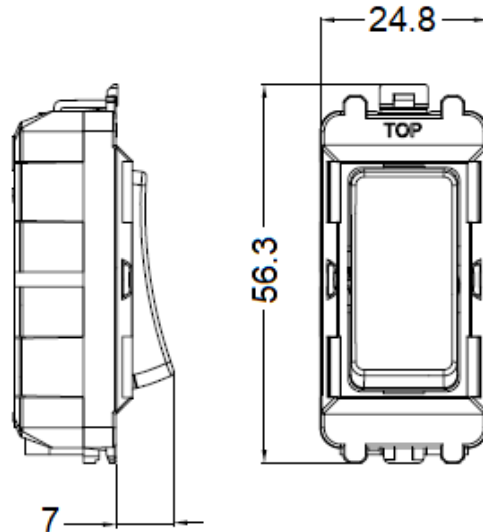


## 20AX intermediate module



MLA part code	GDM005BC	GDM005MW	GDM005PC	GDM005U	GDM005MB
Description	20AX intermediate module				
Finish	Brushed chrome	Matt white	Polished chrome	White	Matt black
Nett weight (kg)	0.027				
Dimensions (mm)	Width – 24.8 Height – 56.3 Projection – 7				
Input voltage	Mains 230V 50Hz				
Min. mounting depth (mm)	35				
Maximum load (A)	20AX				
IP rating	IP20				
Terminal capacity	3 x 1.5mm or 2 x 2.5mm				
Construction	Steel & ABS				
Warranty	15 years				
Origin of Manufacture	China				
Declaration of Conformity (held on file)	Yes				
Manufactured in accordance with	BS EN 60669-1				
EAN	5055832963592	5055832963608	5055832963615	5055832963622	5056270801156