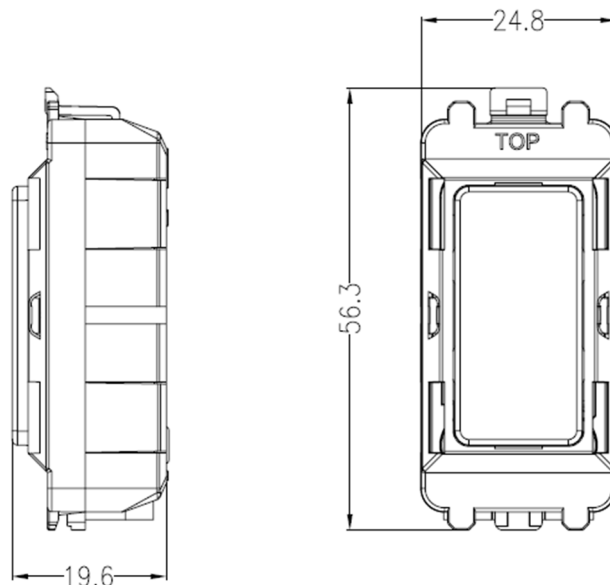


Indicator Modules



MLA part code	GDM017	GDM018	GDM019
Description	Green indicator module	Red indicator module	Orange indicator module
Nett weight (kg)	0.02		
Dimensions (mm)	Height – 56 Width – 24 Projection - 19		
Minimum mounting depth	35mm		
Terminal capacity	3 x 2.5mm ²		
Input voltage	Mains 230V 50Hz		
Construction	Steel / ABS		
Insulation Class	Class II		
IP rating	IP20		
Warranty	3 Years		
Origin of Manufacture	China		
Declaration of Conformity (held on file)	Yes		
Manufactured in accordance with	BSEN 5733		
EAN	5055832964087	5055832964094	5055832964100

