

**NATIONAL
VENTILATION**

Manufacturers & suppliers
of  monsoon products

Energysaver™ Intellisense i7

Ultra quiet, ultra modern intelligent bathroom fan

**5YR
WARRANTY**



**SILENT
FROM 17DBA**

**7 IN 1
FUNCTIONALITY**

**UP TO
110M³/H**

**ENERGY
EFFICIENT
MAX 3W**

IP44



Humidity
sensor



Presence
sensor



Overrun
timer



Airing
function

Call now to find out more: 01823 690 290

www.nationalventilation.co.uk Email: info@nvagroup.co.uk

The Monsoon Energysaver™ IntelliSense i7 is a bathroom fan that is quiet yet versatile enough to ventilate bathrooms, toilets and utility areas.

The IntelliSense i7 has **six** core ventilation modes for performing air extraction in all homes with natural ventilation. It has been designed and approved for installation in wet areas (IP44) such as WCs, bathrooms and utility rooms. It is for mounting on the wall or ceiling. The **seventh** mode is the heat mover which allows the fan to transfer surplus heat to an adjacent room.

Ventilation Modes

Continuous Ventilation Modes

1. Fully automatic - three speeds

40 m³/h Basic flow, low/ 60 m³/h Presence mid/
95 m³/h Humidity, max

2. When you need extra speed...

40 m³/h Basic flow, low/ 60 m³/h Presence, mid/
110m³/h Humidity, max

3. Fully automatic - two speeds

40 m³/h Basic flow, low/ 95 m³/h Humidity, max

Intermittent Ventilation Modes

Backdraught shutter option.

4. Auto start humidity/presence sensor

60 m³/h Presence, mid/ 95 m³/h Humidity, max

5. Manual start/stop via switch

95 m³/h Max speed

6. Auto start + Airing function

60 m³/h Presence, mid/ 95 m³/h Humidity, max
If the fan has been inactive more than 24h,
it will start and run for 30 min every 12 hours.

Heat Mover Mode

7. Move excess heat to next room

Start @ 28°C (95 m³/h). Stop @ 24°C

Extra Ventilation Modes

Two speeds - increased basic flow

60 m³/h Basic flow, mid/ 95 m³/h Humidity, max

Starts at rising humidity level

95 m³/h Humidity, max

Continuous or intermittent

The IntelliSense i7 can be installed as either an intermittent fan or a continuous fan giving flexibility on installation options.

During continuous operation the fan can run extremely quietly at low speed, just 17dB(A).

Changing the function

Lift the cover plate. Select the desired mode manually with a screwdriver. It is possible to change mode even when the motor unit has been removed from the wall frame.



Airing function

If the humidity control or presence sensor has not been active for 24 hours, the airing function will start up. The fan will operate at medium speed for 30 minutes every 12 hours. This function means that stuffy, musty odours in the bathroom can be avoided when the room is unoccupied for a while.

Call now to find out more: 01823 690 290

www.nationalventilation.co.uk Email: info@nvagroup.co.uk

Presence sensor – motion (IR) and light

The presence sensor is activated by motion (IR) or when the light is switched on. The over run time is 15 minutes. The fan switches to a medium speed, 60 m³/h, and depending on the choice of mode, it starts up immediately or after 2.5 minutes.

Intelligent humidity sensor

A self-adjusting humidity sensor continuously measures the humidity level in the room. The fan starts up automatically if the humidity level rises rapidly (e.g. in the case of a shower) or if the relative humidity (RH) exceeds 70%. When the humidity level is restored, the fan returns to the basic flow or stops.

Power consumption

Thanks to IntelliSense i7 being operated by a low-voltage motor, it has been possible to substantially reduce energy consumption. The fan consumes as little as 3 watts on maximum, about a third of what a conventional bathroom fan uses.

Models

CODE	DESCRIPTION
MEI-I7	Monsoon Energysaver™ IntelliSense i7 Fan

Functions

FUNCTIONS	INCLUDED
Built for continuous operation/long life	✓
Adjustable speed control	✓
Intelligent, self-adjusting humidity control	✓
Opportunity for fully surface-mounted installation	✓
Integrated safety switch	✓
Easy access control wheel to select mode	✓
Cleanable/easy access to duct	✓
Airing function	✓
Acceleration function	✓

Noise and capacity data

ADAPTER DIAMETER	MAX/ SILENT	CAPACITY	SOUND PRESSURE LEVEL 3M
Ø100	Max	110m ³ /h	25dB(A)
Ø100	Silent	40m ³ /h	17dB(A)

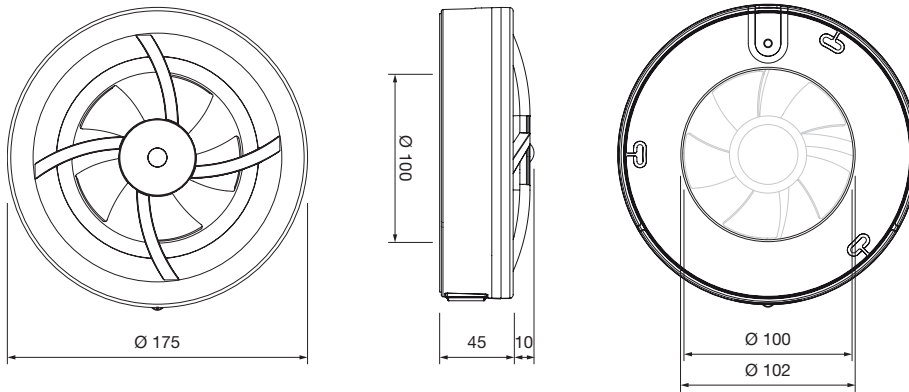
Call now to find out more: 01823 690 290

www.nationalventilation.co.uk Email: info@nvagroup.co.uk

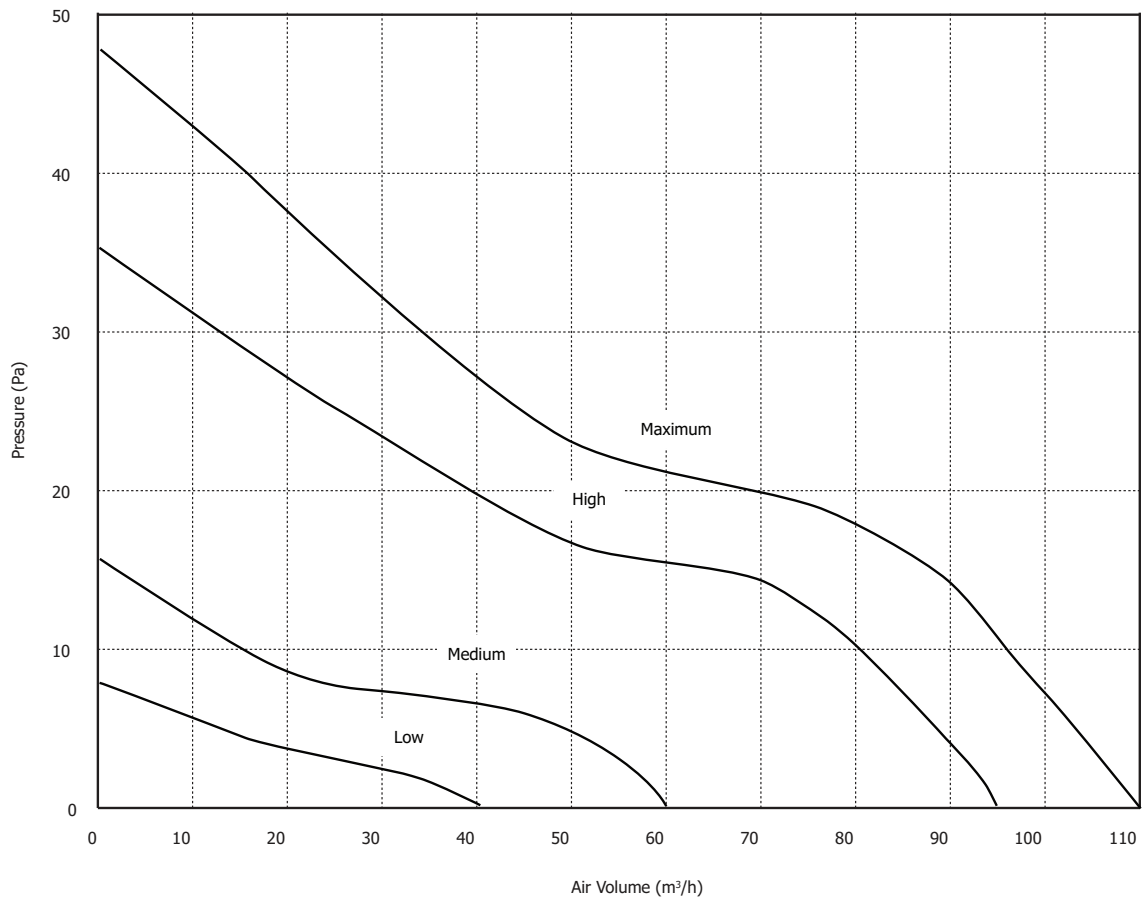
Technical data

MAX POWER CONSUMPTION	PROTECTION RATING
3W	IP44

Dimensions (mm)



Performance



Call now to find out more: 01823 690 290

www.nationalventilation.co.uk Email: info@nvagroup.co.uk