



## 20A Control Switches



The smooth contemporary curves of the Deco Plus range are available in seven finishes to compliment any room.

Deco Plus 20A Control Switches are designed to fit effortlessly with the range, with simple installation to enhance the décor of any area.

All Deco Plus 20A Control Switches are tested and approved to BS EN 60669 offering assured quality and safety.

## 20A Control Switches

### Product Range

#### Finish Comparison



Antique Brass (AB)



Polished Brass (BR)



Polished Chrome (CH)



Satin Chrome (SC)



Satin Brass (SB)



Black Nickel (BN)



Stainless Steel (SS)

V1.0

## 20A Control Switches

### Product Range

#### 20A Control Switches

<b>DP**024##</b>	20A Sink & Bath Switch
<b>DP**522##</b>	'Ingot' 20A Double Pole Switch with Flex Outlet
<b>DP**523##</b>	'Ingot' 20A Double Pole Switch with Flex Outlet & Neon
<b>DP**722##</b>	'Ingot' 20A Double Pole Switch
<b>DP**723##</b>	'Ingot' 20A Double Pole Switch with Neon



DPCH024WH



DPSC522BK



DPSS523WH



DPBN722BK

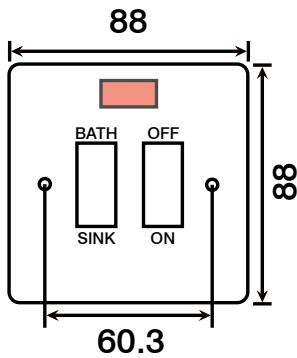


DPBR723WH

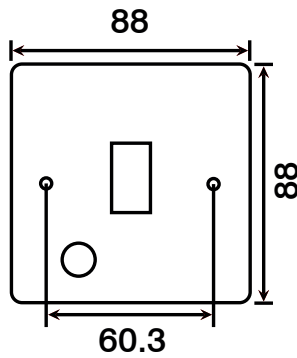
20A Control Switches

Product Dimensional Drawings (mm)

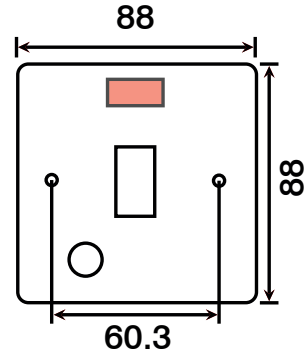
DP\*\*024



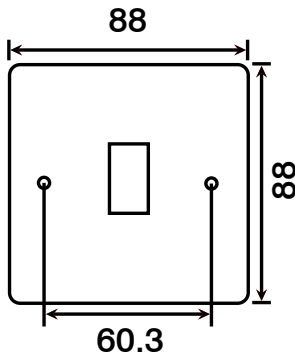
DP\*\*522



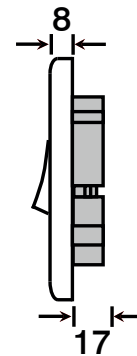
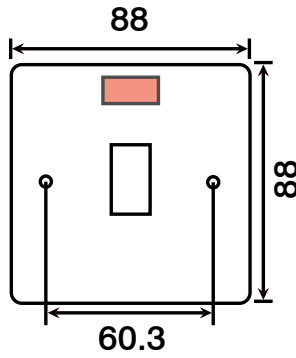
DP\*\*523



DP722

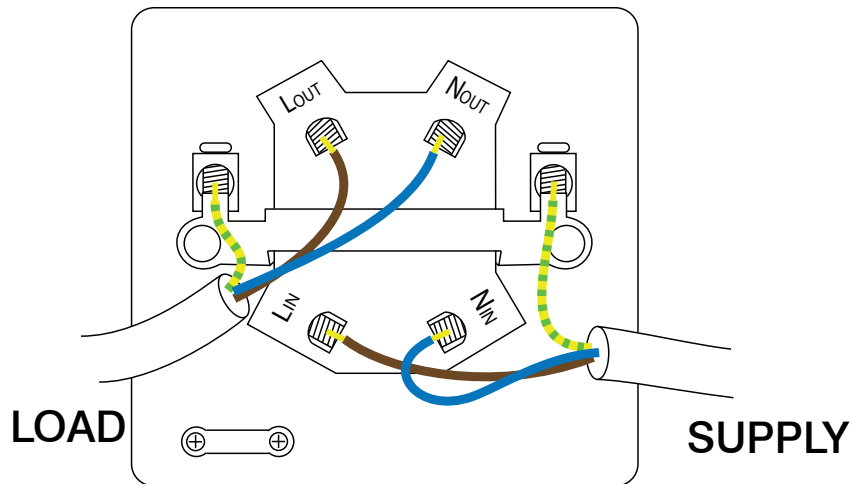


DP\*\*723

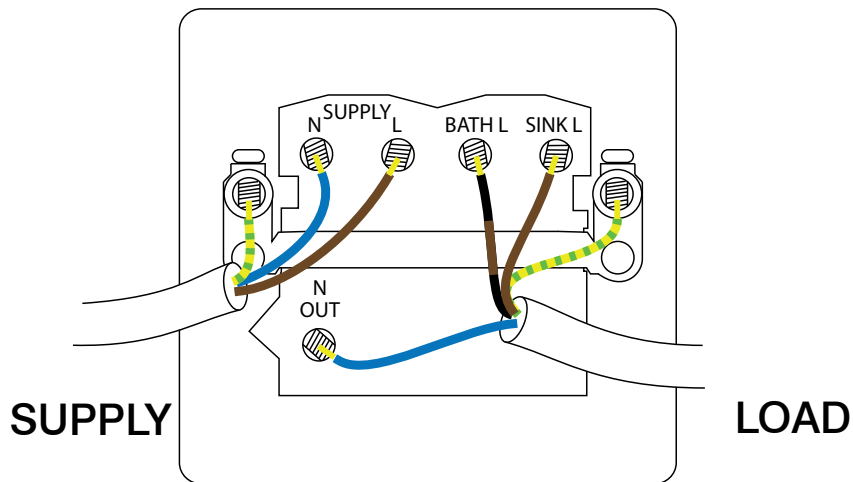


20A Control Switches

Wiring Diagrams



20A Control Switch



20A Sink Bath Switch



## 20A Control Switches

### Technical Specification

#### 20A Control Switches

<b>Material Composition</b>	Front Plate: Stainless Steel
	Rear Housing: Nylon & Urea
	Terminals: Brass
	Earth Strap: Mild Steel
	Terminal Screws: Steel & Yellow Passivated
	Silver "on-lay" Copper / Brass Contacts
<b>Voltage</b>	240V~ 50Hz
<b>Current Rating</b>	20A
<b>Terminal Size</b>	5mm $\varnothing$
<b>Torque Value</b>	1.8Nm
<b>Cable Size</b>	4 x 2.5mm <sup>2</sup>
<b>Double Pole</b>	Yes
<b>Twin Earth</b>	Yes
<b>Cable Outlet Dia</b>	10mm $\varnothing$
<b>Back Box Depth</b>	25mm - 47mm
<b>Warranty</b>	10 Years
<b>IP Rating</b>	IP20
<b>Operational Temperature</b>	-5° to +40°C
<b>Standards</b>	The Low Voltage Directive 2014/35/EC BS EN 60669-1:1999 + A1:2002 + A2:2008

#### Additional Information

Ensure that the mains supply is isolated before commencing installation and refer to the circuit diagram with the relevant product.

Bare earth cables must always be covered with appropriate sleeving and wired to the earth terminal.



EU DECLARATION OF CONFORMITY

- 1. *Issuer Name* Scolmore International Limited
- 2. *Issuer Address* 1 Scolmore Park, Landsberg,  
Lichfield Road Industrial Estate,  
Tamworth, Staffordshire, B79 7XB
- 3. *Object(s) of Declaration* Deco Plus Range
  - a. *Group* 20A Control Switches
  - b. *Model No.* DP-024, DP-522, DP-523, DP-722, DP-723
- 4. *The object of the declaration described above is in conformity with the requirements of the following Legislations:*

Document No	Title
2014/35/EC	Low Voltage Directive

5. *All products contained within the aforementioned comply with the relevant standards and requirements listed below.*

BS EN 60669-1 : 1999 + A1 : 2002 + A2 : 2008 (BS EN 60669-1 : 2000)

6. *I hereby declare that the equipment named above has been designed to comply with the relevant sections of the above referenced specifications. The unit complies with all applicable Essential Requirements of the Directives.*

*In conjunction with the above all manufacture and process controls are in accordance with ISO 9001:2008.*

*This declaration has been issued under the sole responsibility of the manufacturer, signed at, for and on behalf of: Scolmore International Limited*

Ross Turner - Technical Support Engineer