



TV & Satellite Socket Outlets



The smooth modern lines of the Define accessory plate will fit easily into traditional and contemporary designs alike.

Define flat plate TV and Satellite outlets are designed to fit effortlessly with the range, with simple installation to enhance the décor of any area.

TV & Satellite Socket Outlets

Product Range

Finish Comparison



Brushed Steel (BS)



Black Nickel (BN)



Pearl Nickel (PN)



Polished Chrome (CH)



Stainless Steel (SS)

TV & Satellite Socket Outlets

Product Range

Non-Isolated Coaxial & Satellite Socket Outlets (Unshielded)

FP**065##	Single Non-Isolated Coaxial Socket Outlet
FP**066##	Twin Non-Isolated Coaxial Socket Outlet
FP**156##	Single Non-Isolated Satellite Socket Outlet

Isolated Coaxial & Satellite Socket Outlets (Unshielded)

FP**157##	Isolated Satellite & Isolated Coaxial Socket Outlet
FP**158##	Single Isolated Coaxial Socket Outlet
FP**159##	Twin Isolated Coaxial Socket Outlet



FPBS065BK



FPPN066WH



FPBN156BK



FPSS157WH



FPCH158BK



FPBS159WH

Errors & Omissions excluded. Specification is subject to change without notice. ** Denotes Plate Finish, ## Denotes Insert Colour

V1.0

Scolmore International Ltd, 1 Scolmore Park, Landsberg, Lichfield Road Ind. Estate, Tamworth, Staffordshire, B79 7XB

Telephone: 01827 63454

E-mail: sales@scolmore.com, technical@scolmore.com

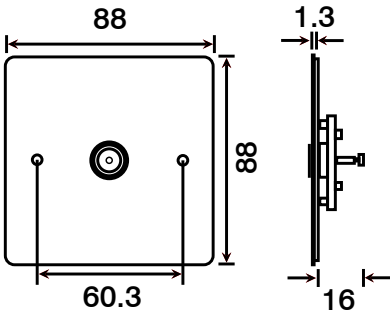
Facsimile: 01827 63362

Website: www.scolmore.com

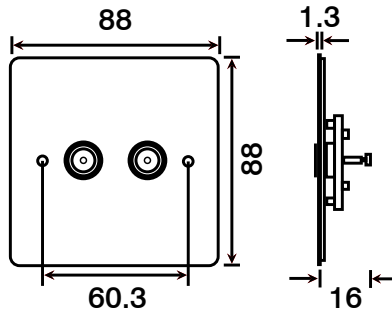
TV & Satellite Socket Outlets

Product Dimensional Drawings (mm)

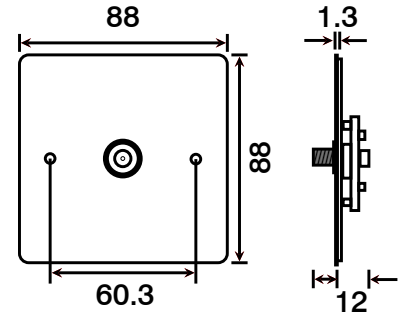
FP**065



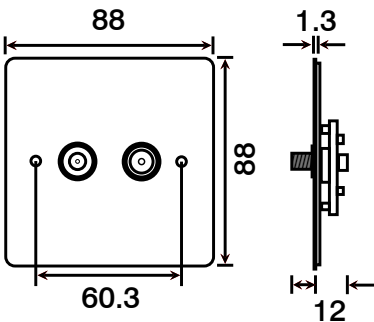
FP**066



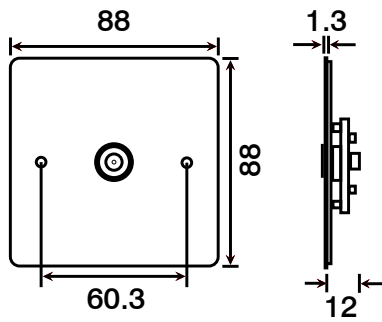
FP**156



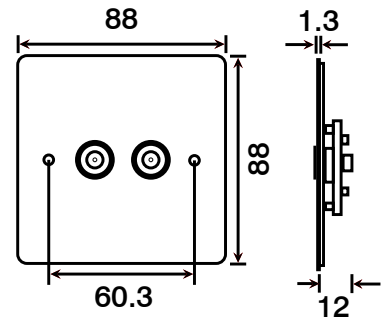
FP**157



FP**158



FP**159

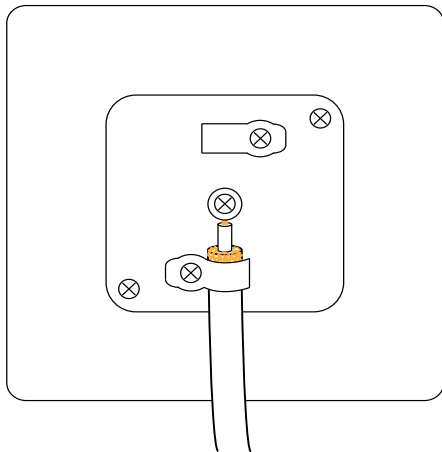


Errors & Omissions excluded. Specification is subject to change without notice. ** Denotes Plate Finish

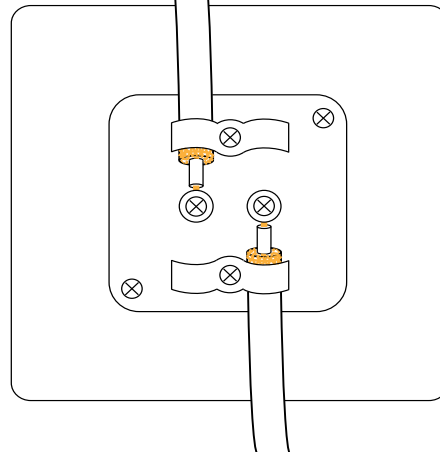
TV & Satellite Socket Outlets

Wiring Diagrams

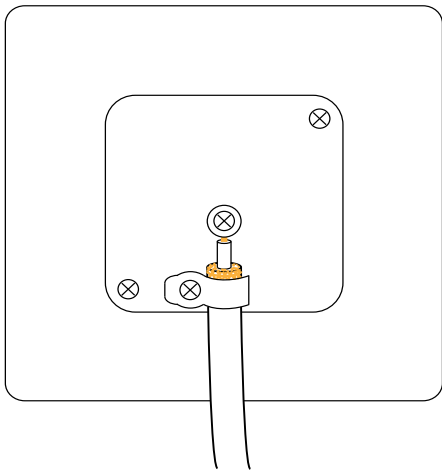
FP065**



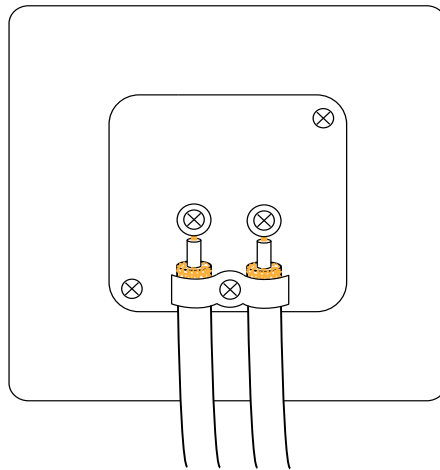
FP066**



FP156, 158**



FP157, 159**



TV & Satellite Socket Outlets**Technical Specification****TV & Satellite Socket Outlets**

Material Composition	Front Plate: Stainless Steel
Back Box Depth	16mm - 47mm
Warranty	10 Years
IP Rating	IP20
Operational Temperature	-5° to +40°C
Standards	The Low Voltage Directive 2006/95/EC BS 5733:1995 (where applicable)

Additional Information

Non-Isolated: Direct connection to aerial where two way signal is required i.e. Receiver/Decoders.

Isolated: Incoming signal is allowed to pass through from the aerial but the return signal is blocked i.e. communal dish or aerials.

Screened: Connections in the plate are protected from external interferences.

DECLARATION OF CONFORMITY

1. *Issuer Name* Scolmore International Limited
2. *Issuer Address* 1 Scolmore Park, Landsberg,
Lichfield Road Industrial Estate,
Tamworth, Staffordshire, B79 7XB
3. *Object(s) of Declaration* Define Range
 - a. *Group* Television & Satellite Socket Outlets
 - b. *Model No.* FP-065, FP-066, FP-156, FP-157, FP-158, FP-159
4. *The object of the declaration described above is in conformity with the requirements of the following Legislations:*

Document No	Title
2006/95/EC	Low Voltage Directive

5. *All products contained within the aforementioned comply with the relevant standards and requirements listed below.*

BS 5733 : 1995 (where applicable)

6. *I hereby declare that the equipment named above has been designed to comply with the relevant sections of the above referenced specifications. The unit complies with all applicable Essential Requirements of the Directives.*

In conjunction with the above all manufacture and process controls are in accordance with ISO 9001:2008

Signed, for and on behalf of: Scolmore International Limited



Steven Bettson BSc - Senior Technical Support Engineer

CE 13