

**Data Sheet | Item Number: 221-613**

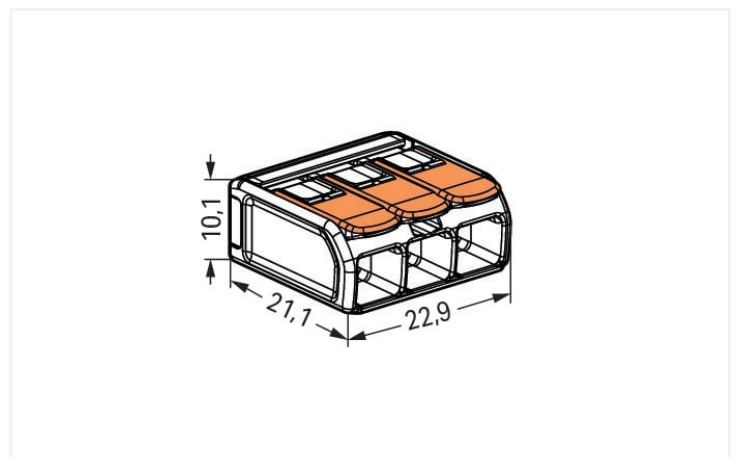
COMPACT Splicing Connector; for all conductor types; max. 6 mm<sup>2</sup>; 3-conductor;  
with levers; transparent housing; Surrounding air temperature: max 85°C (T85); 6,00  
mm<sup>2</sup>; transparent



<https://www.wago.com/221-613>



Color:  transparent



Dimensions in mm

## Your benefits:

- Ease of use – pull the lever up, insert a conductor and push the lever back down
- Available as 2-, 3- and 5-wire connectors
- Easily terminate conductors from 0.5 to 6 mm<sup>2</sup>
- Connection of all conductor types
- Time savings for installers and device manufacturers
- Quickly install devices with higher power consumption
- Safely install long cable runs with larger conductor cross sections
- Mounting carrier for installation conforms to standards
- Custom carriers are possible

## Notes

Safety information in grounded power lines

## Electrical data

| Ratings per EN 60664 |     |     |       | Approvals per UL 486C |   |       |   |
|----------------------|-----|-----|-------|-----------------------|---|-------|---|
| Overvoltage category | III | III | II    | Use group             | B | C     | D |
| Pollution degree     | 3   | 2   | 2     | Rated voltage         | - | 600 V | - |
| Nominal voltage      | -   | -   | 450 V | Rated current         | - | 30 A  | - |
| Rated surge voltage  | -   | -   | 4 kV  |                       |   |       |   |
| Rated current        | -   | -   | 41 A  |                       |   |       |   |

## Connection data

|                            |   |                                 |   |  |
|----------------------------|---|---------------------------------|---|--|
| Connection points          | 3 | <b>Connection 1</b>             |   |  |
| Total number of potentials | 1 | Connection technology           | CAGE CLAMP®                               |  |
|                            |   | Actuation type                  | Lever                                     |  |
|                            |   | Connectable conductor materials | Copper                                    |  |
|                            |   | Nominal cross-section           | 6 mm <sup>2</sup> / 10 AWG                |  |
|                            |   | Solid conductor                 | 0.5 ... 6 mm <sup>2</sup> / 20 ... 10 AWG |  |
|                            |   | Stranded conductor              | 0.5 ... 6 mm <sup>2</sup> / 20 ... 10 AWG |  |
|                            |   | Fine-stranded conductor         | 0.5 ... 6 mm <sup>2</sup> / 20 ... 10 AWG |  |
|                            |   | Strip length                    | 12 ... 14 mm / 0.47 ... 0.55 inches       |  |
|                            |   | Wiring direction                | Side-entry wiring                         |  |

## Physical data

|        |                        |
|--------|------------------------|
| Width  | 22.9 mm / 0.902 inches |
| Height | 10.1 mm / 0.398 inches |
| Depth  | 21.1 mm / 0.831 inches |

## Material data

|                             |  |
|-----------------------------|--|
| Note (material data)        | <a href="#">Information on material specifications can be found here</a> |
| Color                       | transparent  |
| Cover color                 | transparent  |
| Insulation material         | Polycarbonate (PC)   |
| Flammability class per UL94 | V2   |
| Fire load                   | 0.073 MJ   |
| Actuator color              | orange   |
| Weight                      | 4 g  |

### Environmental requirements

|                                  |        |
|----------------------------------|--------|
| Ambient temperature (operation)  | +85 °C |
| Continuous operating temperature | 105 °C |
| Temperature marking per EN 60998 | T85    |

### Commercial data

|                       |               |
|-----------------------|---------------|
| eCl@ss 10.0           | 27-14-11-04   |
| eCl@ss 9.0            | 27-14-11-04   |
| ETIM 8.0              | EC000446      |
| ETIM 7.0              | EC000446      |
| PU (SPU)              | 300 (30) pcs  |
| Packaging type        | Box           |
| Country of origin     | CH            |
| GTIN                  | 4055143715416 |
| Customs tariff number | 85369010000   |

### Environmental Product Compliance

|                        |                         |
|------------------------|-------------------------|
| RoHS Compliance Status | Compliant, No Exemption |
|------------------------|-------------------------|

### Approvals / Certificates

#### General approvals



| Approval  | Standard  | Certificate Name |
|---|-----------|------------------|
| CB<br>DEKRA Certification B.V.                  | IEC 60998 | NL-81003         |
| ENEC 05<br>DEKRA Certification B.V.             | EN 60998  | 71-123784        |
| UL_Listed_64KA<br>UL International Germany GmbH | UL 467    | E201573          |
| UL<br>UL International Germany GmbH             | UL 486C   | E69654           |

#### Declarations of conformity and manufacturer's declarations

| Approval   | Standard | Certificate Name |
|--|----------|------------------|
| EU-Declaration of Conformity<br>WAGO GmbH & Co. KG | -        | -                |
| UK-Declaration of Conformity<br>WAGO GmbH & Co. KG | -        | -                |

### Approvals for marine applications



| Approval   | Standard | Certificate Name |
|--|----------|------------------|
| ABS<br>American Bureau of Shipping               | EN 60998 | 18-HG1755093-PDA |
| DNV GL<br>Det Norske Veritas, Germanischer Lloyd | EN 60998 | TAE000015T       |
| LR<br>Lloyds Register                            | EN 60998 | LR22207029TA     |

### Downloads

#### Environmental Product Compliance

| Compliance Search                        |   |
|--|---|
| Environmental Product Compliance 221-613 | ↓ |

## Documentation

| Bid Text                   |            |                  |   |
|----------------------------|------------|------------------|---|
| 221-613                    | 19.02.2019 | xml<br>3.48 KB   | ↓ |
| 221-613                    | 23.01.2019 | docx<br>15.05 KB | ↓ |
| ausschreiben.de<br>221-613 |            |                  | ↓ |

## CAD/CAE-Data

| CAD data             |   |
|----------------------|---|
| 2D/3D Models 221-613 | ↓ |

| CAE data                     |   |
|------------------------------|---|
| EPLAN Data Portal<br>221-613 | ↓ |
| ZUKEN Portal 221-613         | ↓ |

## 1 Compatible Products

### 1.1 Optional Accessories

#### 1.1.1 General accessories

##### 1.1.1.1 Moisture protection



**Item No.: 207-1431**  
Gelbox; Branch; for cables; with gel; 221 Series; max. 6 mm<sup>2</sup> connectors; without splicing connectors; Size 1; gray

**Item No.: 207-1433**  
Gelbox; Branch; for cables; with gel; 221 Series; max. 6 mm<sup>2</sup> connectors; without splicing connectors; Size 3; gray

#### 1.1.2 Jumper

##### 1.1.2.1 Jumper



**Item No.: 221-941/000-006**  
Jumper; for conductor entry; 2-way; insulated; blue

**Item No.: 221-942/000-006**  
Jumper; for conductor entry; 2-way; insulated; blue

**Item No.: 221-941**  
Jumper; for conductor entry; 2-way; insulated; dark gray

**Item No.: 221-942**  
Jumper; for conductor entry; 2-way; insulated; dark gray

##### 1.1.3 Mounting adapter

### 1.1.3.1 Mounting accessories



**Item No.: 221-510/000-006**

Mounting carrier; 221 Series - 6 mm<sup>2</sup>; for DIN-35 rail mounting/screw mounting; blue



**Item No.: 221-510/000-053**

Mounting carrier; 221 Series - 6 mm<sup>2</sup>; for DIN-35 rail mounting/screw mounting; dark gray-yellow

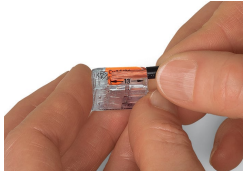


**Item No.: 221-510**

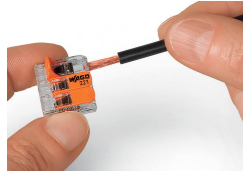
Mounting carrier; 221 Series - 6 mm<sup>2</sup>; for DIN-35 rail mounting/screw mounting; orange

## Installation Notes

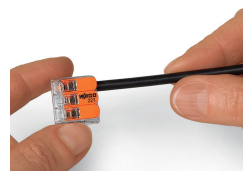
### Conductor termination



Leiter 12 ... 14 mm abisolieren.

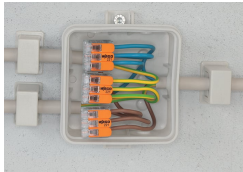


Termination: Lift the lever to open the clamping unit and insert a stripped conductor.



Then, lower the lever to close the clamp.

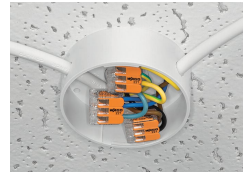
## Application



Wiring fine-stranded conductors in junction boxes.



Custom low-voltage lighting system



Lighting distribution in a ceiling canopy



Pendant light connection in a suspended ceiling



COMPACT Splicing Connectors for All Conductor Types (6 mm<sup>2</sup>), 221 Series